



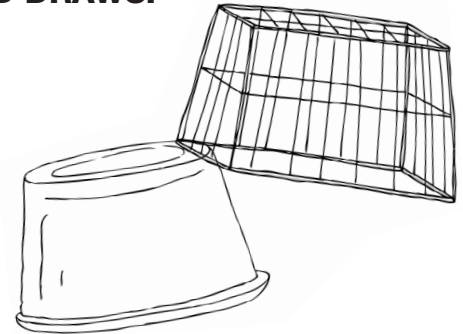
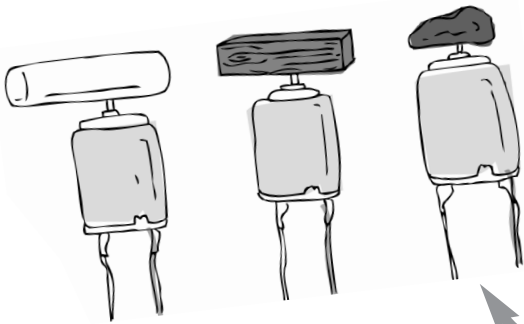
Twirl@Home Projects: Scribble Bots!

For a video tutorial on this project, see <https://m.youtube.com/watch?v=fijkPTRvhNU> or visit Twirl Taos on YouTube and find the video *Scribble Bot with Twirl Supplies*.

A SCRIBBLE BOT IS A HOMEMADE ROBOT THAT WALKS AND DRAWS!

Inside this bag is everything you need to make your own.... except for its body!

To make its body, you need a large yogurt container, strawberry basket or other recyclable container.



The motor is the engine of your scribble bot and when it's attached to power (your battery pack), it vibrates, causing your scribble bot to move.

The trick to making your motor vibrate correctly is to attach something to the top of it. A short piece of hot glue stick works perfectly.

SO LET'S GET STARTED

1. Cut your glue stick to about 3/4 inch in length then stick it onto the spike at the top of your motor.

2. Next, attach it to your chosen container with masking tape. Tip: make sure there is enough space between the glue stick and the container for it to spin.

3. Take your markers and attach them to the container with tape or rubber band, like legs.

4. Now, it's time to attach your battery. Follow the instructions on this diagram.

5. Now place your robot on a piece of paper, switch it on, and let's see if it will draw.

Sometimes, you have to experiment with the position of the motor and the battery on top, to get your scribble bot to move without falling over. Keep trying! And see what patterns you can make.

